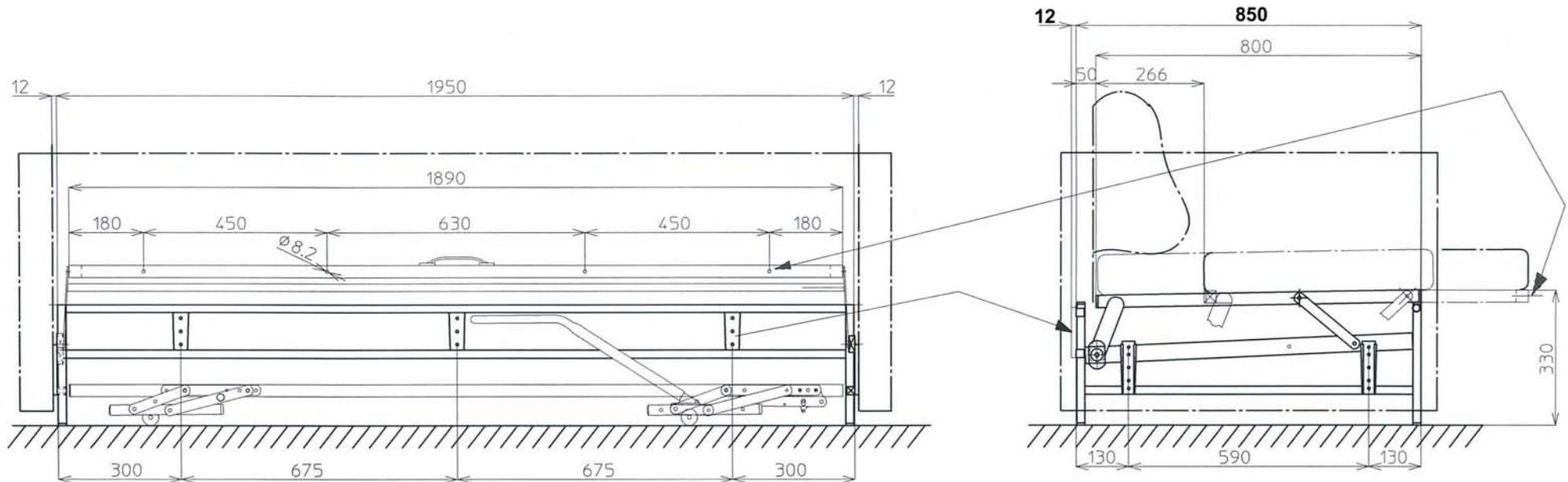




# Ensemble / Set Lit gigogne Auto

## INFORMATIONS TECHNIQUES / TECHNICAL INFORMATION

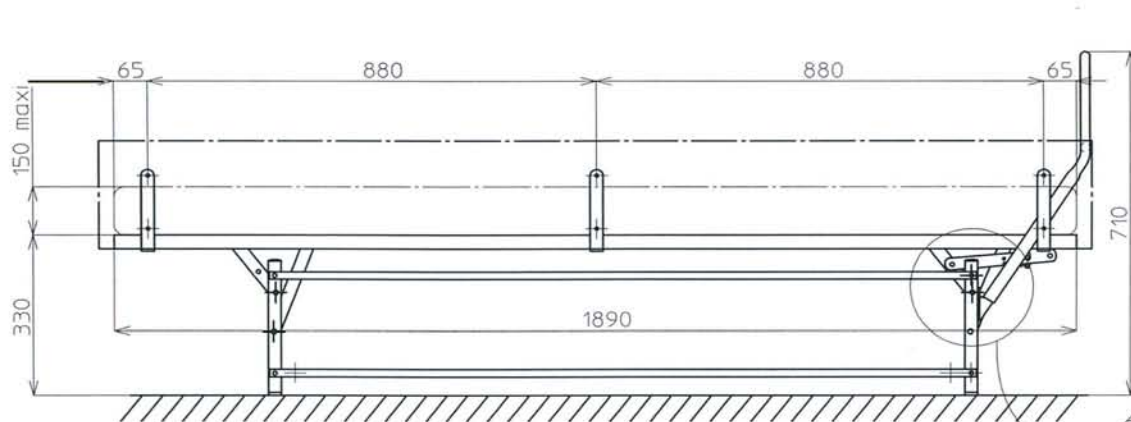


sa **SEDAC MECOBEL** nv IZ Zuid Vlamingsstraat 78560 Wevelgem, Belgium Tel (32) 56 41.28.81/ Fax (32) 56 41.81.76  
 sa **MERAL** B.P.4 72800 Aubigné-Racan, France Tél (33) 2 43.46.21.22 / Fax (33) 2 43.46.22.76  
 E-mail: [info@sedac-meral.com](mailto:info@sedac-meral.com)

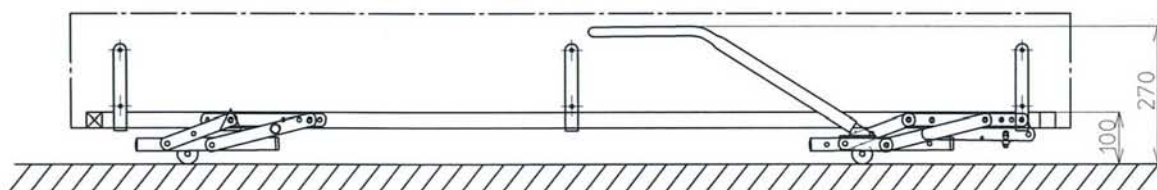
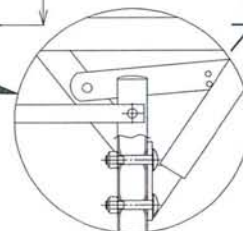
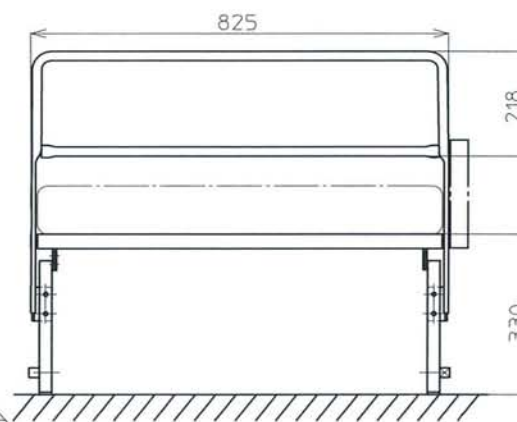


# Lit gigogne Auto

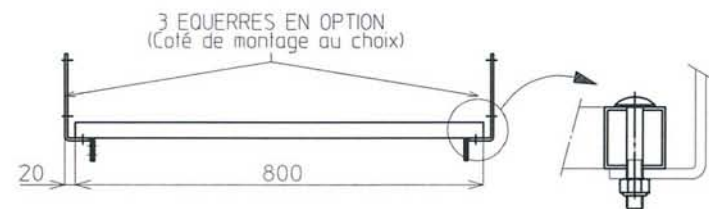
## INFORMATIONS TECHNIQUES / TECHNICAL INFORMATION



**Lit gigogne Auto déplié / unfolded**



**Lit gigogne Auto plié: folded**



sa SEDAC MECOBEL nv IZ Zuid Vlamingstraat 78560 Wevelgem, Belgium Tel (32) 56 41.28.81/ Fax (32) 56 41.81.76  
sa MERAL B.P.4 72800 Aubigné-Racan, France Tél (33) 2 43.46.21.22 / Fax (33) 2 43.46.22.76  
E-mail: [info@sedac-meral.com](mailto:info@sedac-meral.com)

