

WALLBED VG



Mattress size

- Length: 190/200 cm
- Width: 140/160 cm

Product characteristics

- Bed hidden in a cabinet. Ideal solution for apartments, holiday homes or hotel rooms in order to maximize space.
- Patented hinge with gas strut which results in a combination of a cabinet depth of only 35cm while keeping a height of 41cm from the floor to the top of the bed frame.
- Hinge has been tested by Meral for 10.000 cycles opening and closing.
- Possibility to add a mattress of up to 20cm.
- Two options on the legs : flip-over leg or articulated leg.
- Apart from the standard bed, one can add a desk or sofa to add extra functions to the cabinet bed.

Manufactured by
Meral

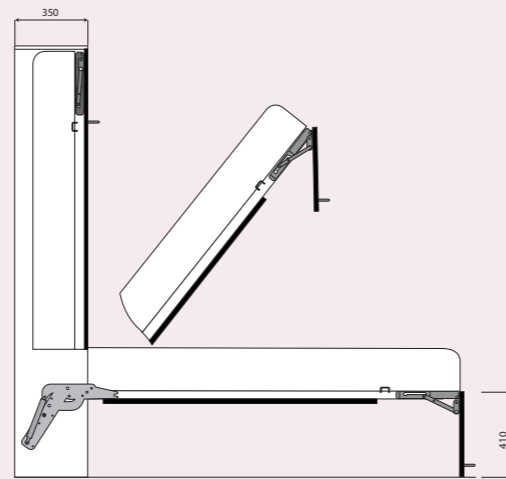


Model	Options
VG 1419 V (140-190)	Sofa 140
VG 1420 V (140-200)	Sofa 160
VG 1620 V (160-200)	Desk 140

Other sizes available upon request but subject to minimum order quantities.

3 VERSIONS

Standard



OPTION: articulated leg

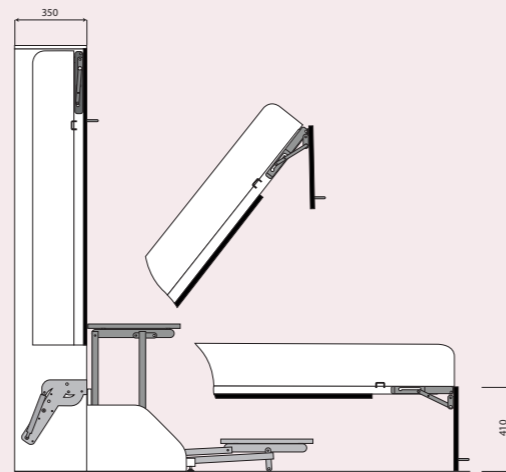
Panel acting as the leg of the bed, allowing minimum depth of the bed (cabinet to foot end) also while opening and closing. Leg is having a security stop ensuring the panel won't fold away if pushed.



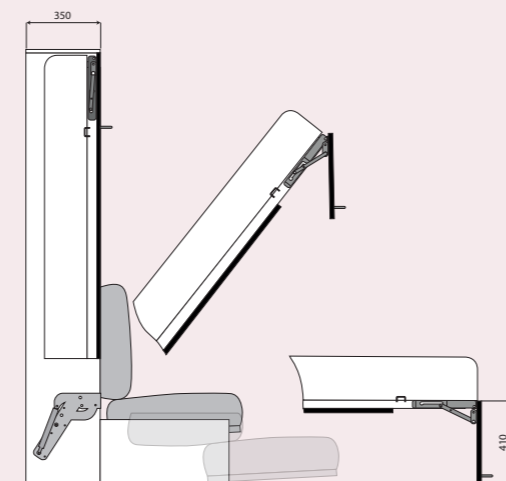
OPTION: flipover leg

Extra leg which needs to be flipped while opening/closing the cabinet bed. Making that the front panel of the cabinet bed can be made out of a larger piece. Leg is coming with a security stop preventing it from folding away if pushed.

With desk



With sofa



Detail of slot with security stop.



Gas strut

Special design of gas strut hinge with gas strut being in a safe position while the cabinet is open (bed position). Gas strut hinge can be tightly fixed to the cabinet panels while only using wood screws.